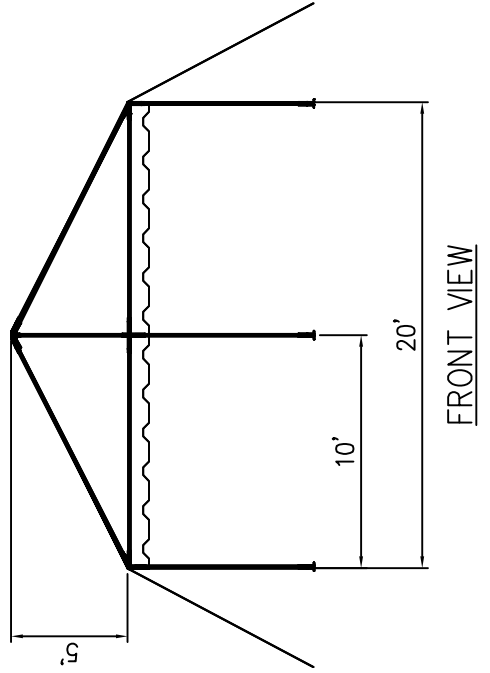
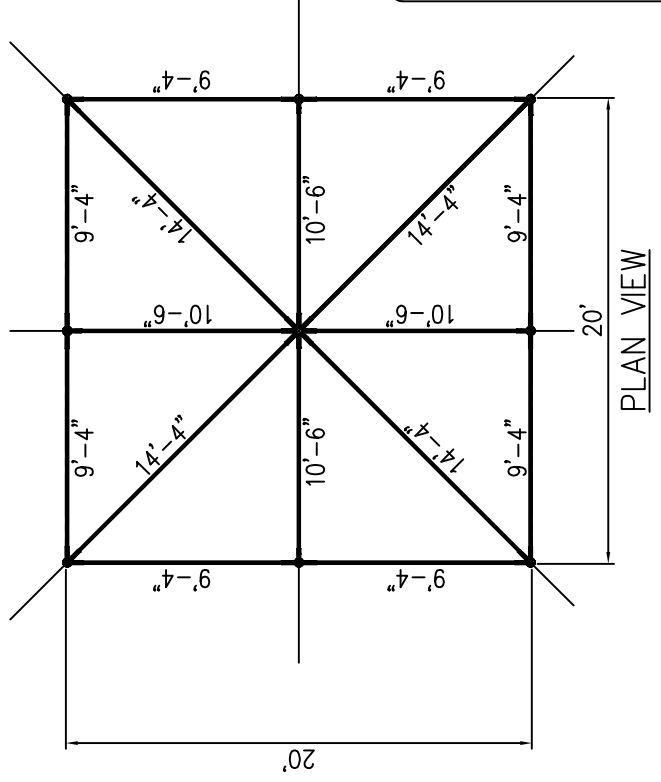


20' x 20' STANDARD FRAME TENT



ALL DATA AND INFORMATION CONTAINED IN OR DISCLOSED BY THIS DOCUMENT IS CONFIDENTIAL AND PROPRIETARY INFORMATION OF AZTEC TENTS AND ALL RIGHTS THEREIN ARE EXPRESSLY RESERVED. BY ACCEPTING THIS MATERIAL THE RECIPIENT AGREES THAT THIS MATERIAL AND INFORMATION CONTAINED HEREIN IS HELD IN CONFIDENCE AND IN TRUST AND WILL NOT BE COPIED, REPRODUCED WHOLE OR IN PART, NOR ITS CONTENTS REVEALED IN ANY MANNER TO OTHERS, EXCEPT TO MEET THE SPECIFIC PURPOSE FOR WHICH IT WAS DELIVERED.

**AZTEC TENTS**  
 DESIGN & PRODUCTION  
 2665 COLUMBIA ST. TORRANCE, CA. 90503  
 (800) 228-3687 - FAX (310) 381-0722

**STANDARD FRAME**  
 FRAME TENT/STANDARD  
 20'W X 20'L X 10' LEG SPACING  
 PART NUMBER: ZXXXXXXX

REV.	DESCRIPTION	BY:	DATE:
N/A	N/A	N/A	N/A
N/A	N/A	N/A	N/A
N/A	N/A	N/A	N/A
N/A	N/A	N/A	N/A
N/A	N/A	N/A	N/A
N/A	N/A	N/A	N/A

**CONFIDENTIAL**

ENGINEER: N/A      DATE: 6/28/2016  
 PAGE: 1 OF 1      DRAWN: HUGO.R